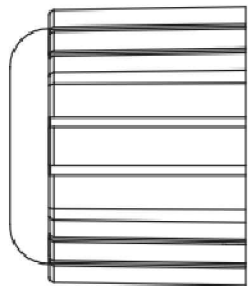
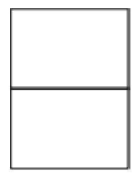
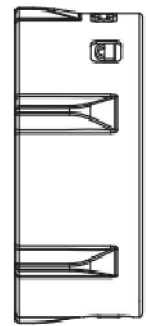
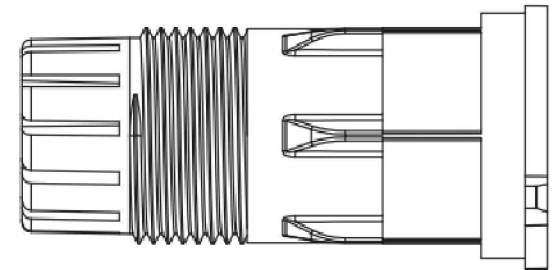

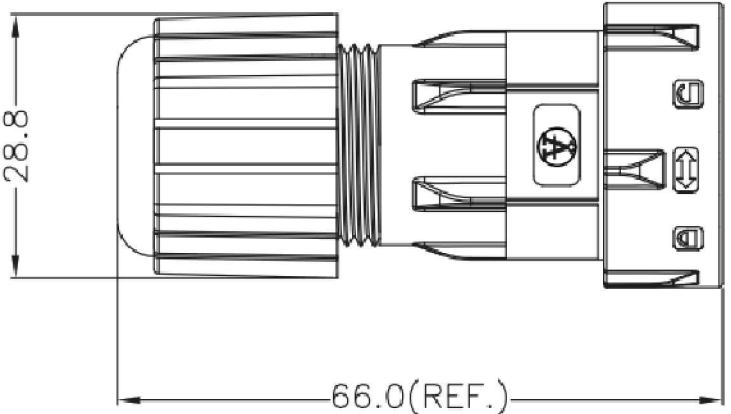
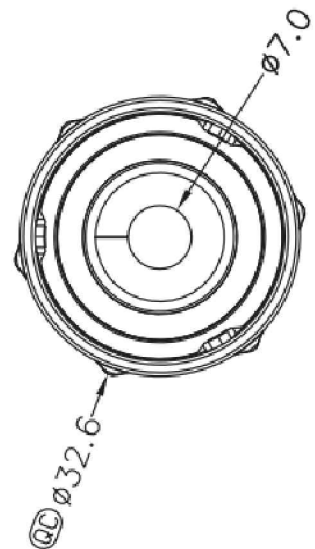



	1	2	3	4	5	6	7			
A								A		
B								B		
C	Seals Nut	Seals	Bayonet Nut		Clamp Ring		Gasket	C		
D								D		
E								E		
F								F		
					<p>Material:</p> <ul style="list-style-type: none"> • Waterproof Rate: IP67 • Cable OD: Ø4.5~Ø6.8MM Max. • Clamp Ring: PPO, UL94V-0, Black • Bayonet Nut: PPO, UL94V-0, Black • Sealing Nut: Nylon+GF, UL94-V, Black • Seals: Silicone, UL94V, Gray • Gasket: Silicone, UL94V-0, Gray 					
G	RoHS compliant Unit:mm		Scale	1:1			Date	Name	Customer-No.	
			TOLERANCE				Drawn	08.01.2014	Joanna	
			X.				Approved	08.01.2014	Joanna	ASSMANN WSW-No.
			X.X							A-FB-00BLMA-LL2
			X.XX							Drawing-No.
H			DIM	TOL					ASS 7037 CA	rev00
			X. °						Replace	Sheet
			Angle	TOL	Id.	Modification	Date	Name		
	1	2	3	4	5	6	7			